

Floor Plan Details

J01 - Store Room Cabinet

PRINTER ROOM

ITEM A ON THE LIST

QTY 1

- ADJUSTABLE SHELFs TO ALL CABINETS
- JF05 LAMINATE WITHIN THE CARCASS
- JF07 Handles.



www.wood-styles.com

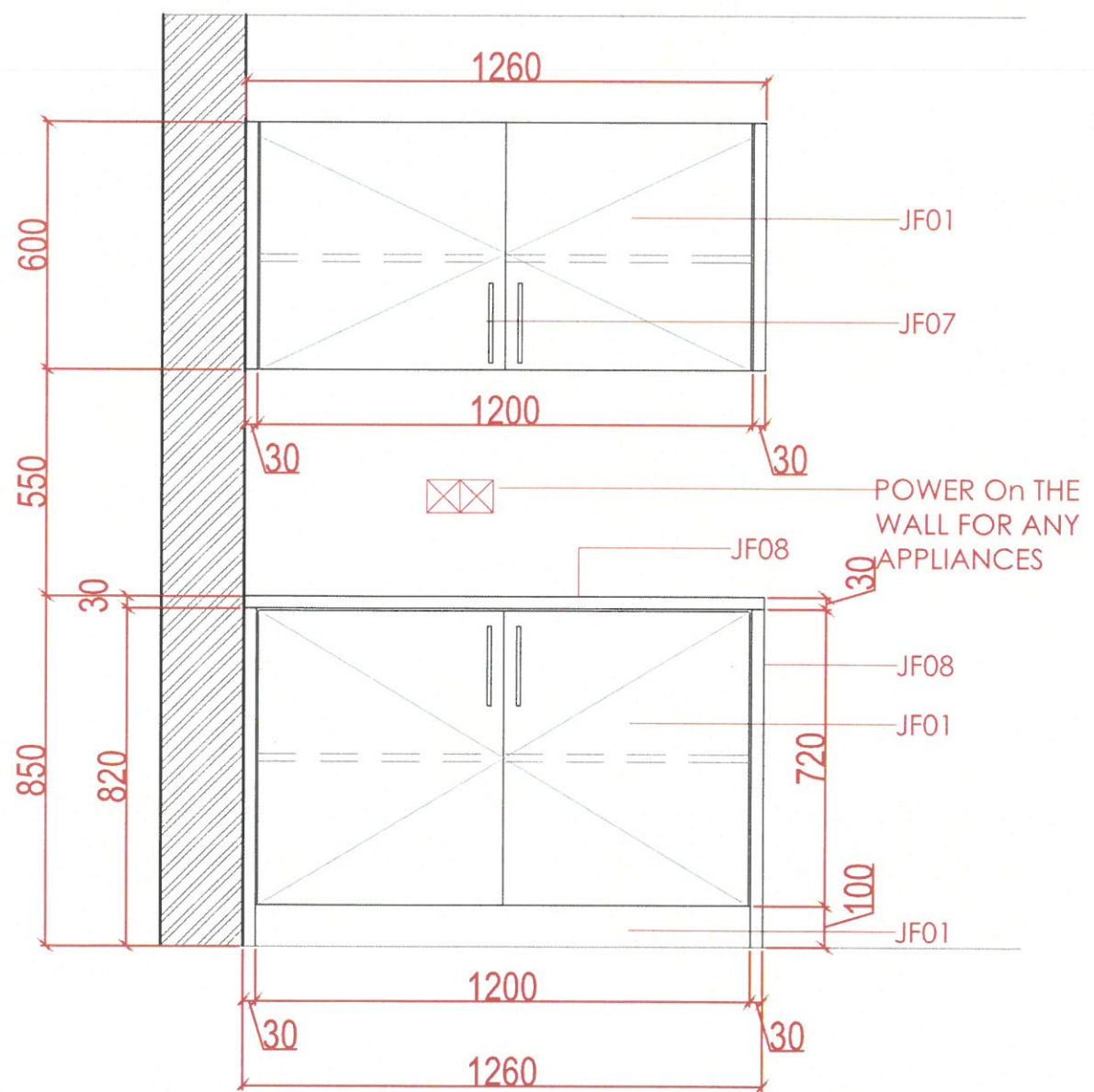
Copyright of designs shown herein is retained by this office. Authority is required for any reproduction. © Copyright Wood-styles Ltd.

Nigeria, Lagos +234 80 9037 9888
Email: info@wood-styles.com

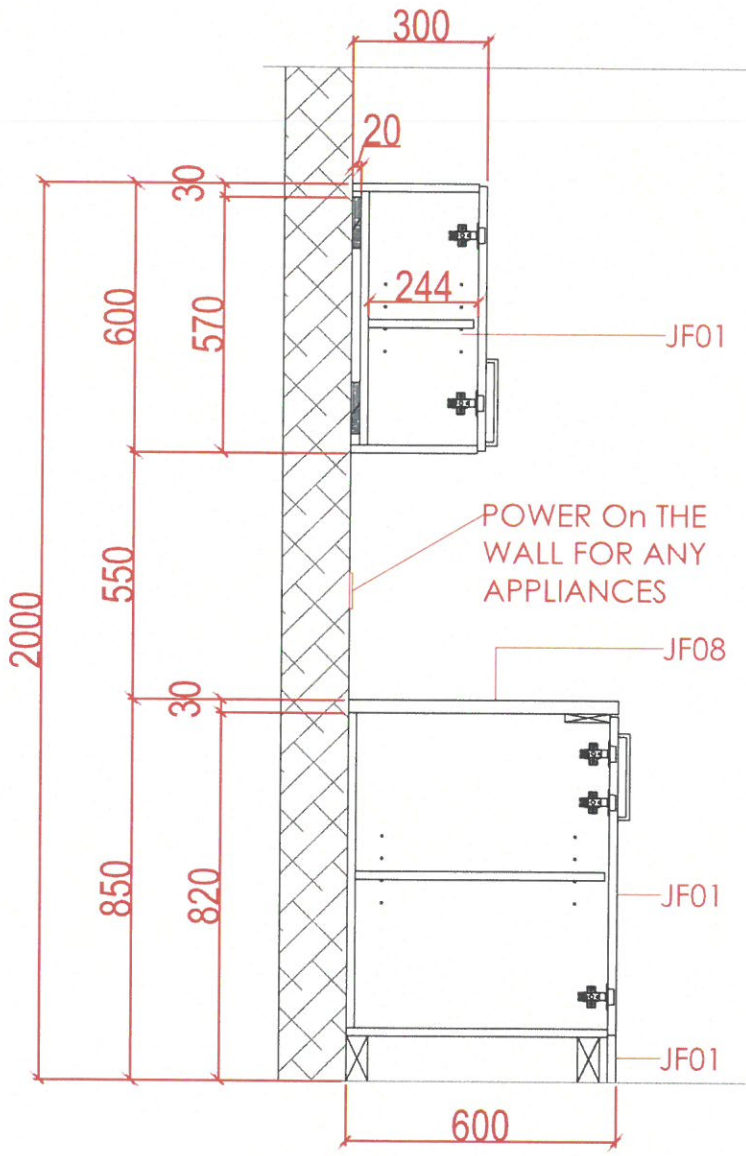
Project
Citi contracting
TetraPak Project

Owner

Date	Description
DSD-V1-ID-2/10/2024	- REV1
DSD-V1-ID-9/11/2024	- REV2
DSD-V1-ID-5/12/2024	- REV3



FRONT Elevation Details



SECTIONAL Details

FINISHES	
JF01 Colour: W1000 ST9 Premium White Laminate Finish	
JF08 Finish: H3359 ST32 Light Natural Davenport Oak Laminate Finish	
JF05 Laminate Finish: WITHIN THE CARCASS	
JF07 Range: Mode Cabinet 'T' Pillared Pull Handle Colour: Stainless Steel Size: 128mm centers Handles	



FOR APPROVAL

Project No. : ---
Scale : N/A
Drawn by : OBJ
Checked : OBJ
Cad File : CAD_FILE

Sheet title
J01- Store Room Cabinet
Floor Plan ,Elevation and Side Details

Dwg No. WS-DS-SD-TP-001	No. SHEET 1
-----------------------------------	-----------------------